

# User Manual

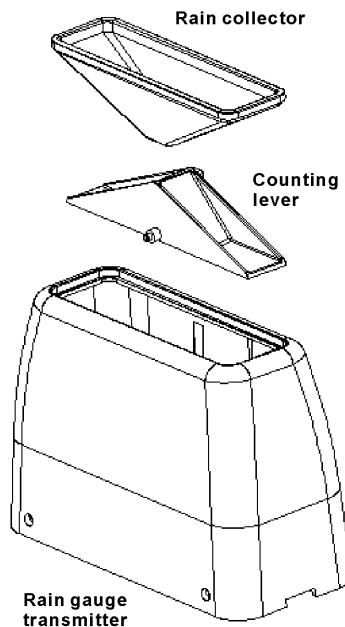
## Digital Wireless Rain Gauge

### Rain Gauge Specifications:

- Outdoor rain gauge transmitter measures the rainfall and transmits the data to an indoor rain monitor base unit which shows the rainfall information on the LCD display.
- The display shows one of 3 available rain modes. No rain / Light rain / Heavy rain.
- Range of rainfall measurement on the LCD display:
  - o IN (inch): 00.00 ~ 99.90
  - o MM (millimeter): 000.0 ~ 999.9
- Rainfall measurement can register accumulation up to:
  - o 99.90IN under inch display mode
  - o 999.9MM under millimeter display mode
- Transmission range is up to 100 feet in an open area without interference. Interference from such things as metal siding or wall studs and security systems can reduce the effective transmission range.
- Power requirement:
  - o Indoor rain monitor requires 2 "AAA" alkaline batteries (not included).
  - o Outdoor rain gauge transmitter: 2 "AA" alkaline batteries (not included).

### Important Information:

- 1) For the initial set-up put the batteries in the indoor rain monitor base unit first and then into the outdoor rain gauge transmitter.
- 2) For the outdoor rain gauge transmitter, please make sure the counting lever inside the unit is placed in an upright position and is free to swing smoothly.



- 3) For the best reception and to avoid the outdoor rain gauge being immersed in water while it is raining, please place the outdoor rain gauge on a flat surface above ground level.
- 4) Do not store or locate the outdoor rain gauge and a counting lever close to any source of magnetic interference or electrical equipment.

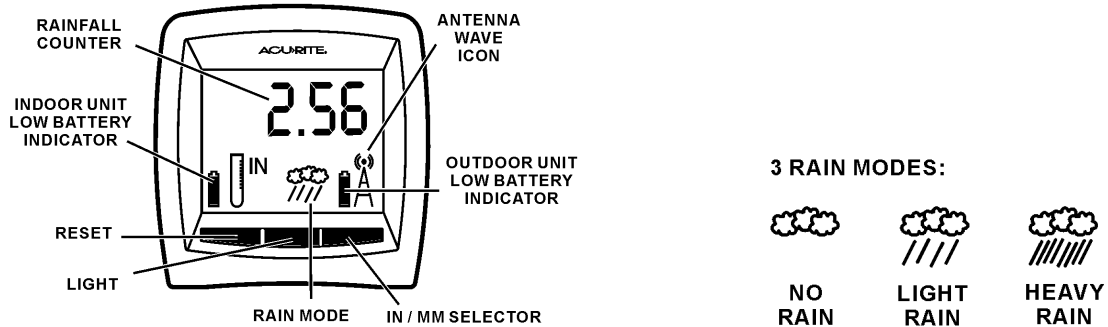
## USING MANUAL

### Know Your Product

#### Outdoor Rain Gauge Transmitter

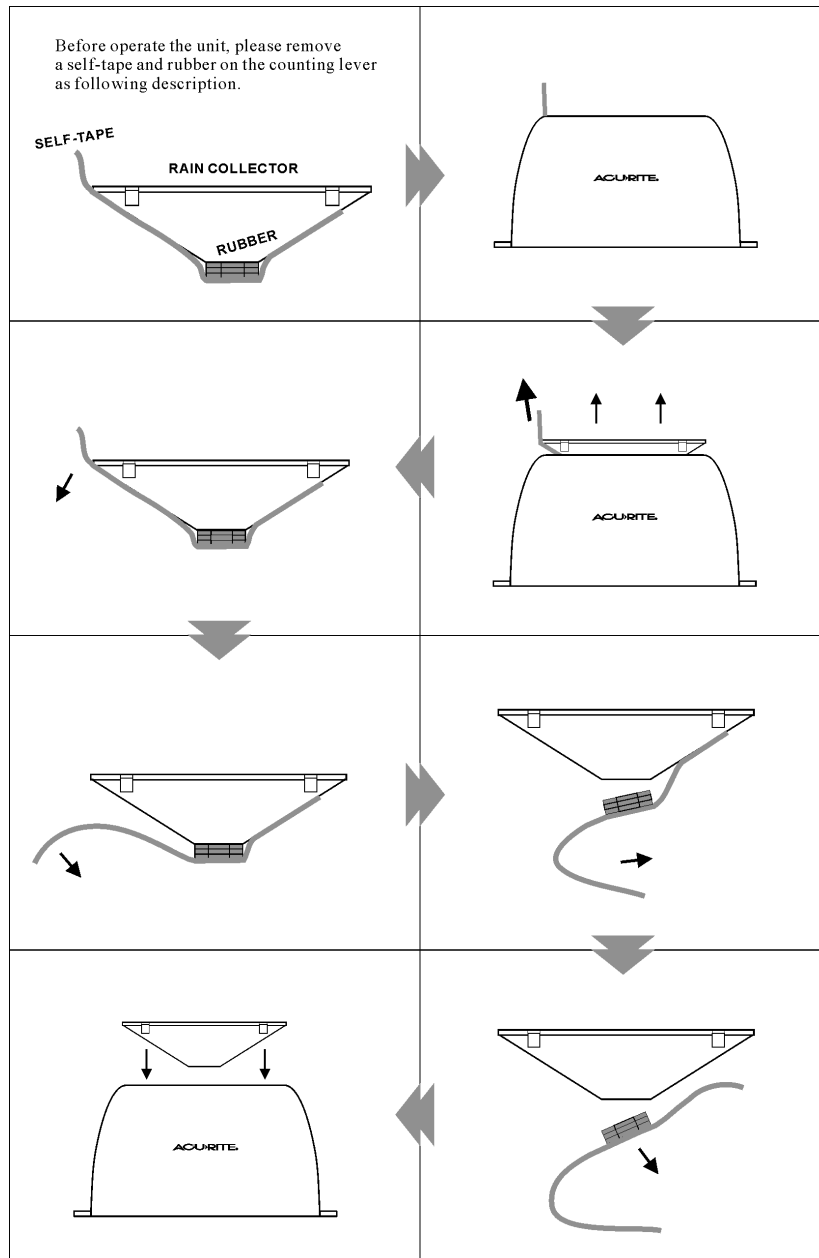
- Measures the rainfall using the internal counting lever and transmits rainfall & rain mode information to the indoor rain monitor base unit.
- Lever resolution: each lever swing = 0.02 inch (0.508 millimeter).
- Low battery condition will be detected and displayed on the indoor rain monitor.

#### Indoor Rain Monitor



- **LCD display**
  - o 4 digit display for rainfall measurement
    - IN (inch): 00.00 ~ 99.90
    - MM (millimeter): 000.0 ~ 999.9
  - o IN / MM indicator
  - o 3 rain mode indicators (No rain / Light rain / Heavy rain)
  - o Antenna wave icon to show synchronization and connection status
  - o Low battery indicators for outdoor rain gauge and indoor rain monitor
- **Function keys**
  - o Reset key
    - Press the Reset key for 1 second to clear all information on the LCD display. The rainfall data can be reset at any time. If not reset the display will show the total of all rainfall since the unit was activated or until the maximum allowable display is reached. To monitor rainfall in a given time period it will be necessary to reset the unit at the start of the time you wish to measure.
  - o IN/ MM (Inch / Millimeter) selection key
    - Press the selection key for 2 seconds to view a rainfall measurement in "IN" or "MM" display format.
  - o Light key
    - Press the Light key, the backlight will be turned on for 5 seconds.
  - o Alarm On/Off switch (located on back of unit)
    - To turn on the rain alert function, slide the Alarm switch to "On" position.
    - To turn off the rain alert function, slide the Alarm switch to "Off" position.

## Before Getting Start



## Getting Started (Power reset procedure)

1. Please make sure batteries are inserted into the indoor rain monitor first and the display appears. The unit will go into "sync mode" for 6 minutes.
2. Insert batteries in the outdoor rain gauge transmitter.
3. In the "sync mode" the indoor rain monitor will receive the outdoor transmission signal within 6 minutes.
4. At the synchronization period, the antenna wave icon will keep blinking on the rain monitor display.
5. When the antenna wave icon stops blinking and remains on the display, this means synchronization has occurred and the main unit has gotten the signal from the transmitter unit.
6. Once the synchronization has occurred, the indoor rain monitor will detect updated rainfall information from the transmitter every minute automatically.
7. If the antenna wave icon does not appear on the display after the 6 minutes synchronization period, it means synchronization has failed.
8. Indoor rain monitor will start synchronization again after 2 minutes until synchronization successful.

During the synchronization period, press any key to stop the synchronization procedure.

## Rainfall Alert Mode description

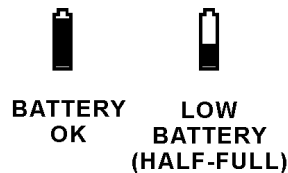
- To activate the rain alert mode, slide the Alarm switch to the "On" position. A beep alarm will sound for 10 seconds when the rain mode is changing.
- Rain mode alert description:
  - o No Rain: Average rainfall less than 0.02IN/0.05MM on the past few minutes
  - o Light Rain: Average rainfall between 0.02IN/0.5MM to 0.18IN/4.6MM on the past few minutes
  - o Heavy rain: Average rainfall equal or over 0.2IN/5.1MM on the past few minutes
- To turn off an alert mode, slide an Alarm switch to "Off" position.

## Data Transmission

The display will read the following based on the data being transmitted from the rain collector:

- No Rain: If the last rain mode was "No rain" and a "No rain" mode condition for the past 5 minutes.
- Light Rain: If the last rain mode was "Light rain" and a "Light rain" mode condition was maintained for the past 3 minutes.
- Heavy Rain: If the latest rain mode was "Heavy rain" and a "Heavy rain" mode condition was maintained for the past minute.

## Low battery indicator and battery changing



If you see that the low battery indicator(s) has changed to half-full status, please install fresh batteries as follows:

### Indoor rain monitor

Remove the old batteries from the battery compartment and insert 2 fresh "AA" alkaline batteries. Unit will sync with the outdoor transmitter unit automatically.

NOTE: After battery replacement, if you find any data showing on the indoor rain monitor display, it must be accumulated data. Please press the "RESET" button for 1 second to clear the display and start counting from 00.00IN or 000.0MM.

### Outdoor rain gauge

To change the outdoor rain gauge batteries, you must press and hold the "RESET" button for 5 seconds on the indoor rain monitor and let it re-sync again.

NOTE: After battery replacement, if you find any data show on the indoor rain monitor display, it may an incorrect counting the occurred during the battery change. Please press the "RESET" button for 1 second to clear the display and start counting from 00.00IN or 000.0MM.

### "ERR" signal occurred on rain monitor display

When the indoor rain monitor notes an accumulative data out of the display range (Maximum inch data is 99.90IN and millimeter data is 999.9MM), the unit will show "ERR" signal on the display and sound for 1 minute. Press any key to clear "ERR" signal and start from 00.00IN or 000.0MM counting.

### Resetting the outdoor rain gauge and troubleshooting

The outdoor rain gauge is using a data accumulation method to transmit information to the indoor rain monitor. If it is necessary to erase an accumulated data on the outdoor rain gauge;

OR

In some unusual occasions, the unit may be affected by electrical interference and respond abnormally or "ERR" signal occurred.

In such conditions, you must reset and re-sync both the indoor monitor & outdoor rain gauge. If to do so, please follow the "Getting Started (Power reset)" procedure.

NOTE: After reset both the indoor monitor & outdoor rain gauge, if you find any data show on the indoor rain monitor display, it may a wrong counting during place the batteries on the outdoor rain gauge, please press the "RESET" button for 1 second to clear the display and start from 00.00IN or 000.0MM counting.

Warning: Changes or modifications to this unit not expressly approved by the party responsible for compliance could void the user's authority to operate the equipment.

NOTE: This equipment has been tested and found to comply with the limits for a Class B digital device, pursuant to Part 15 of the FCC Rules. These limits are designed to provide reasonable protection against harmful interference in a residential installation. This equipment generates uses and can radiate radio frequency energy and, if not installed and used in accordance with the instructions, may cause harmful interference to radio communications.

However, there is no guarantee that interference will not occur in a particular installation. If this equipment does cause harmful interference to radio or television reception, which can be determined by turning the equipment off and on, the user is encouraged to try to correct the interference by one or more of the following measures:

- Reorient or relocate the receiving antenna.
- Increase the separation between the equipment and receiver.
- Connect the equipment into an outlet on a circuit different from that to which the receiver is connected.
- Consult the dealer or an experienced radio/TV technician for help.

This device complies with Part 15 of the FCC Rules. Operation is subject to the following two conditions: (1) this device may not cause harmful interference, and (2) this device must accept any interference received, including interference that may cause undesired operation.

Tested to comply with FCC standards for home or office use.

Model Name: Digital Wireless Rain Gauge  
Model Number: 00896

The responsible party information:  
Chaney Instrument Co,  
965 S. Wells Street,  
Lake Geneva, WI. 53147,  
Tel: 262-248-4449.

#### LIMITED WARRANTY INTERNATIONAL

Consumer may have more remedies at law than follows. Chaney Instrument Company warrants to the owner, this product to be free from defect in material and workmanship for one year from date of purchase.

CHANEY INSTRUMENT SHALL NOT BE LIABLE FOR ANY INCIDENTAL, INDIRECT OR CONSEQUENTIAL DAMAGES, WHETHER ARISING IN CONTRACT OR TORT. Chaney Instrument's obligation (at its option) is limited to repair or replace this product. For in-warranty repair, send clock, accompanied by Guarantee, bearing Dealer's name and date of purchase, with \$5.00 to cover handling and postage, to:

Chaney Instrument Company  
965 Wells Street  
Lake Geneva, Wisconsin 53147